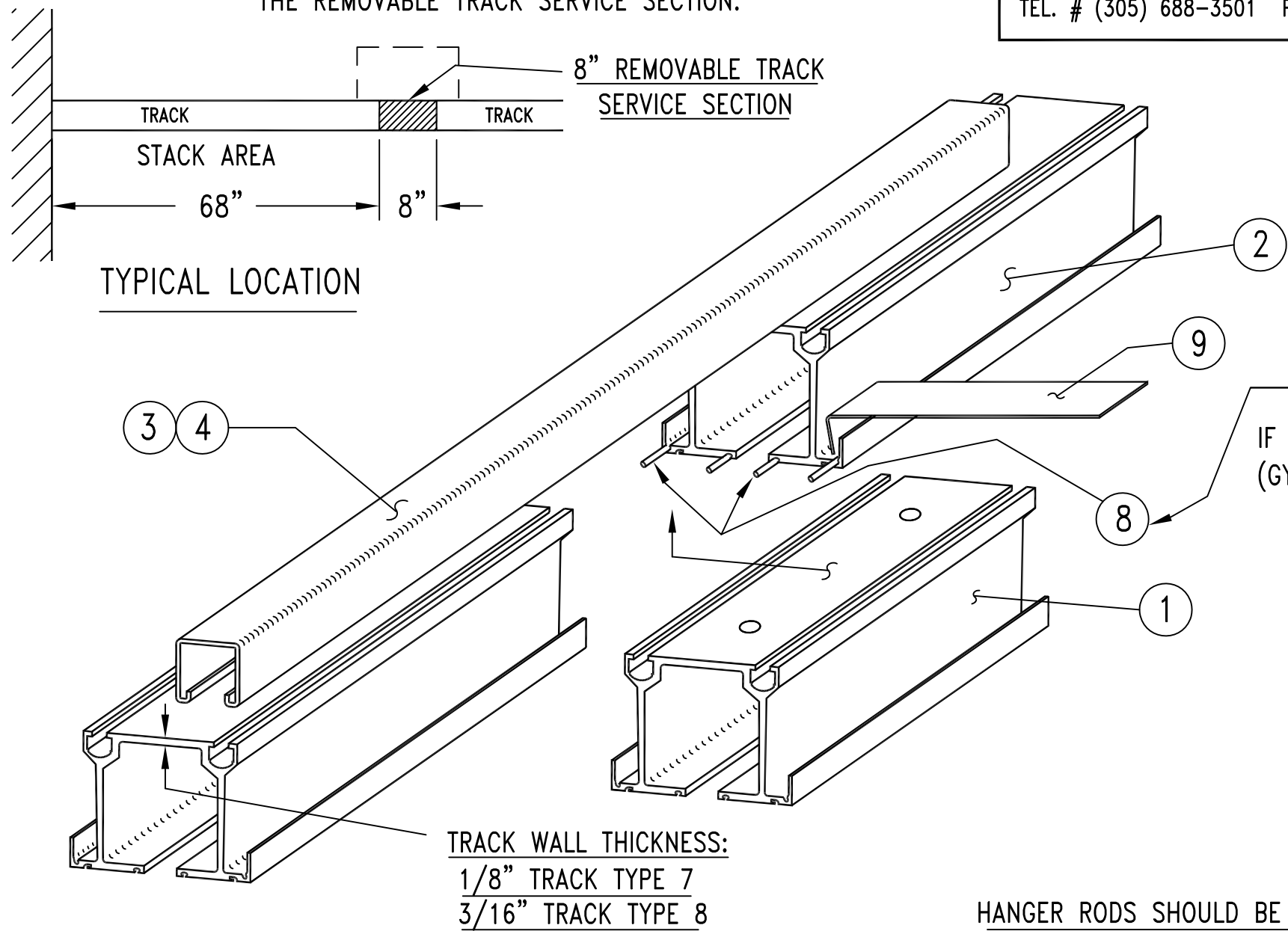


**NOTE:**

IF TRACK IS INSTALLED IN A "HARD" CEILING (GYPSBOARD or PLASTER), AN ACCESS AREA (1' x 1') SHOULD BE PROVIDED (by others) ALONGSIDE THE REMOVABLE TRACK SERVICE SECTION.

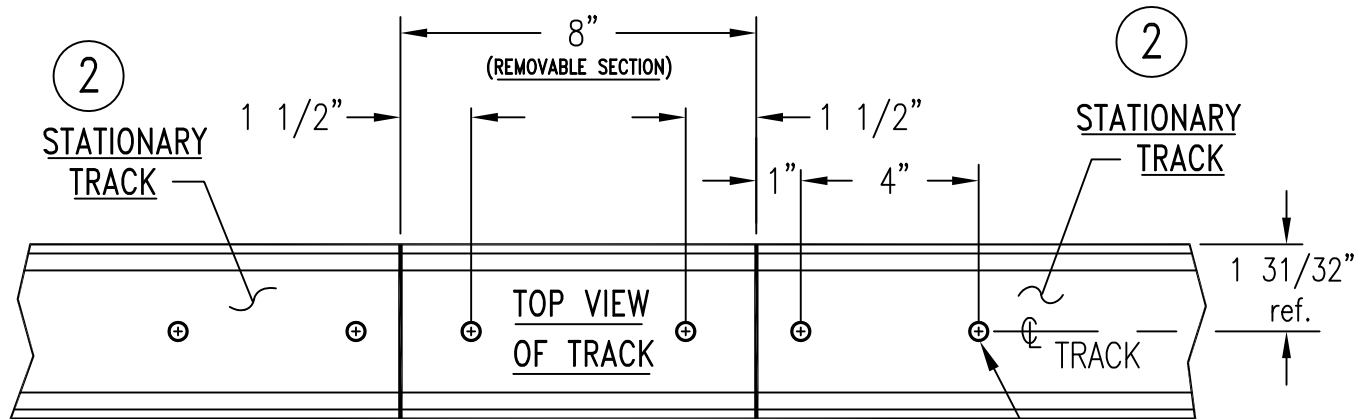
**PANELFOLD**  
 P.O. BOX # 683130 MIAMI, FL. 33168  
 TEL. # (305) 688-3501 FAX # (305) 688-0185

8" REMOVABLE TRACK SECTION TYPE 7 or 8 FOR PAIRED or CONTINUOUSLY HINGED PANELS			
ITEM	PART #	DESCRIPTION	QTY.
1	23323	8" REMOVABLE TRACK SECTION (specify type 7 or 8)	1
2	3371 or 3365	TRACK TYPE 7 or TRACK TYPE 8	—
3	12024	UNISTRUT CHNL. 24" long (# P 1000)	1
4	12026	UNISTRUT NUTS 3/8-16 (# P 1008)	6
5	K-178	HEX HD. BOLT 3/8-16 x 1"	6
6	5235	3/8" FLAT WASHER	6
7	14025	3/8" LOCK WASHER	6
8	5622	STEEL SPLICE PINS 1/8" dia. x 7"	8
9	23315	SPLICE PIN INSTALLATION TOOL	1

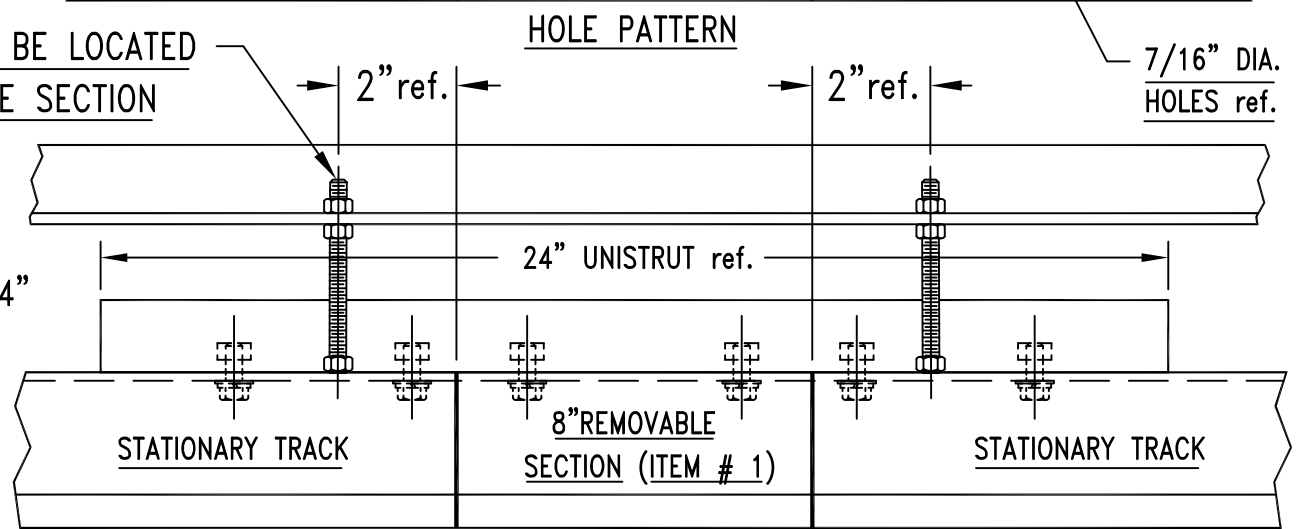


**NOTE:**

IF TRACK IS INSTALLED IN A "HARD" CEILING (GYPSBOARD or PLASTER), DO NOT INSTALL OUTBOARD PINS.

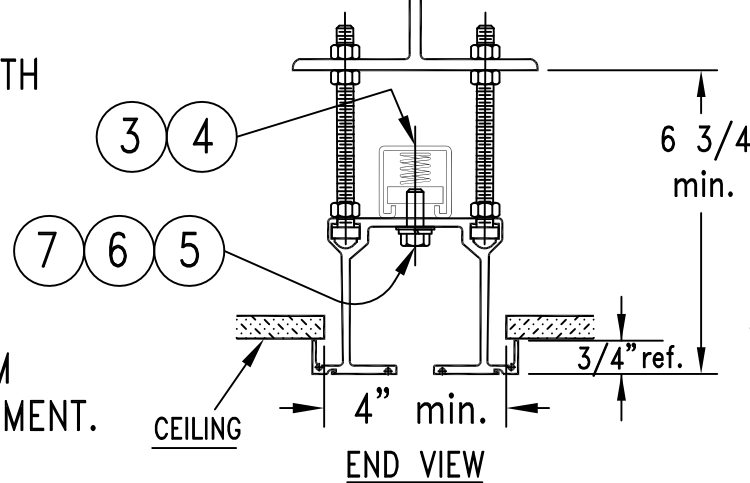


HANGER RODS SHOULD BE LOCATED CLOSE TO REMOVABLE SECTION



**SEQUENCE OF ASSEMBLY:**

- INSTALL SPLICE PINS (item # 8) COMPLETELY INTO BOTH ENDS OF STATIONARY TRACK PIECES.
- BOLT UNISTRUT CHANNEL & NUTS (item # 3 & 4) ON TOP OF BOTH STATIONARY TRACK PIECES.
- BOLT 8" REMOVABLE TRACK LIGHTLY IN PLACE.
- ALIGN TRACK AND MOVE SPLICE PINS (item # 8) FROM STATIONARY TRACK INTO 8" PIECE TO COMPLETE ALIGNMENT.
- TIGHTEN ALL HEX HEAD BOLTS.



12 APRIL '99

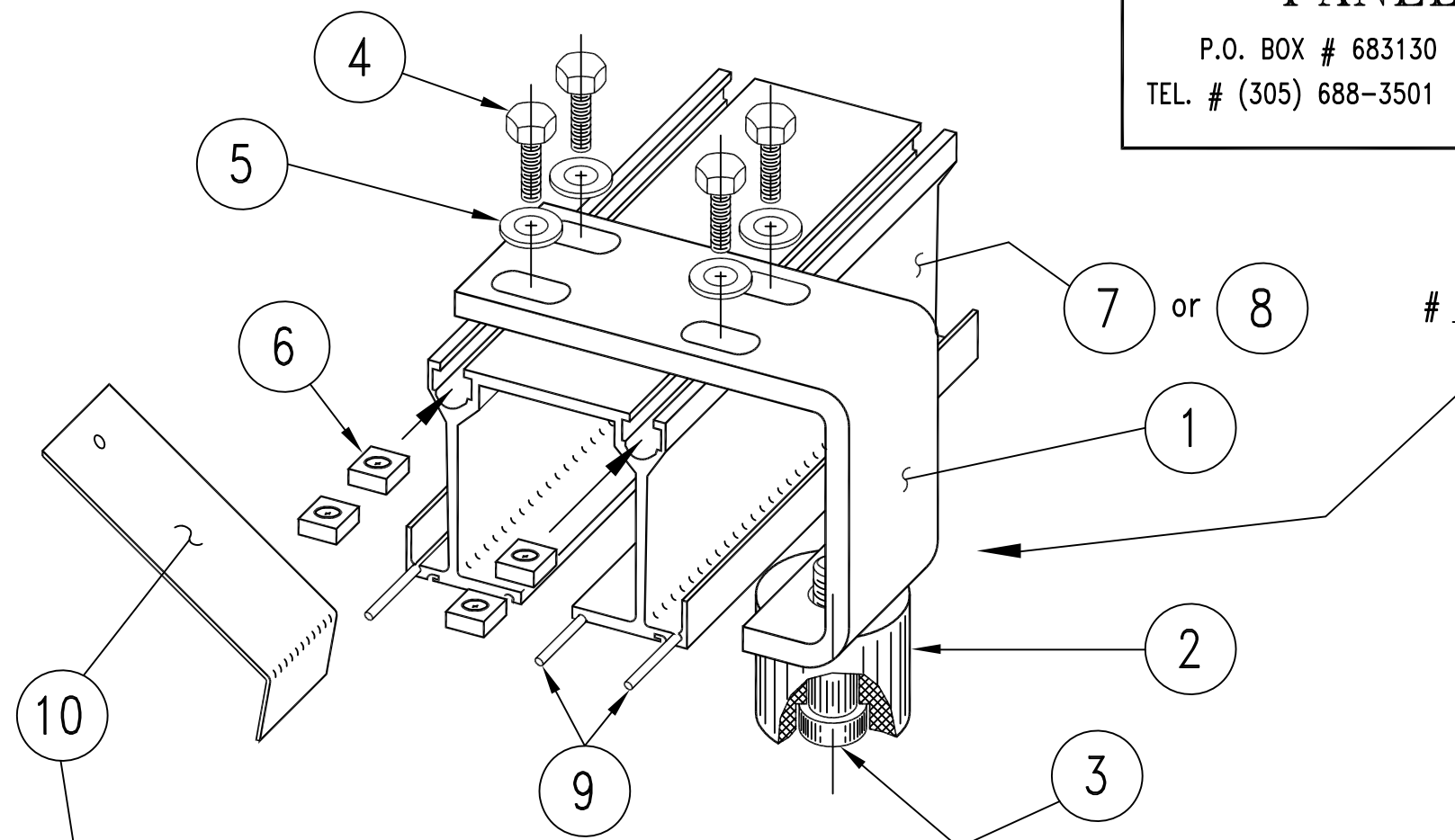
B-23105

# PANELFOLD

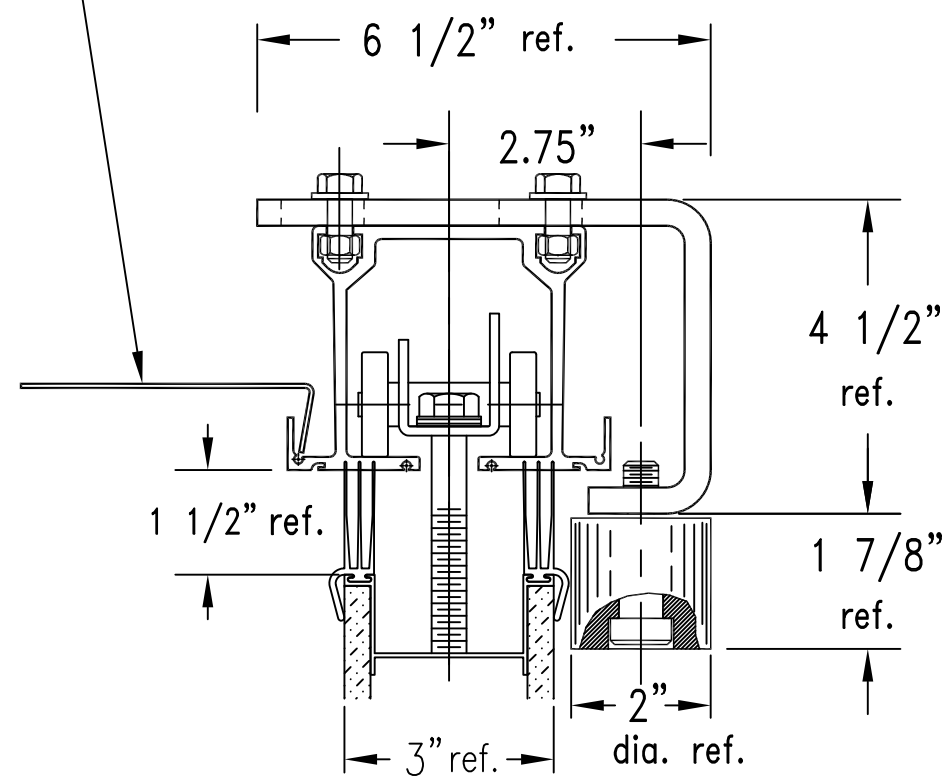
P.O. BOX # 683130 MIAMI, FL. 33168  
 TEL. # (305) 688-3501 FAX # (305) 688-0185

## ADJUSTABLE GUIDE ROLLER ASS'Y

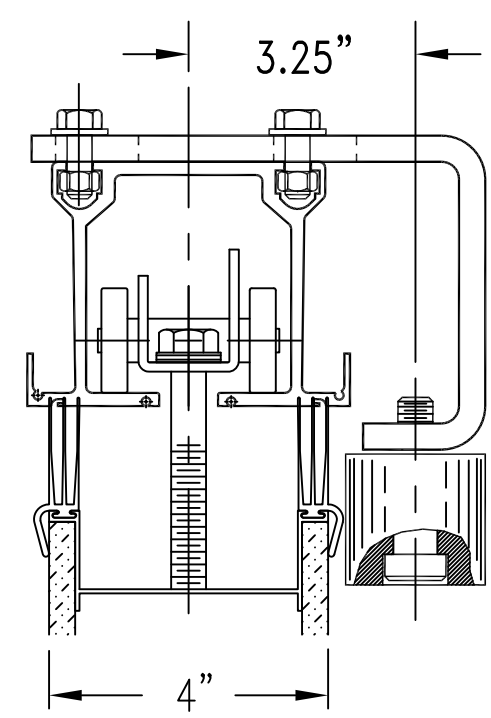
FOR TRACK TYPE 7 & 8  
 3" & 4" THICK PANELS



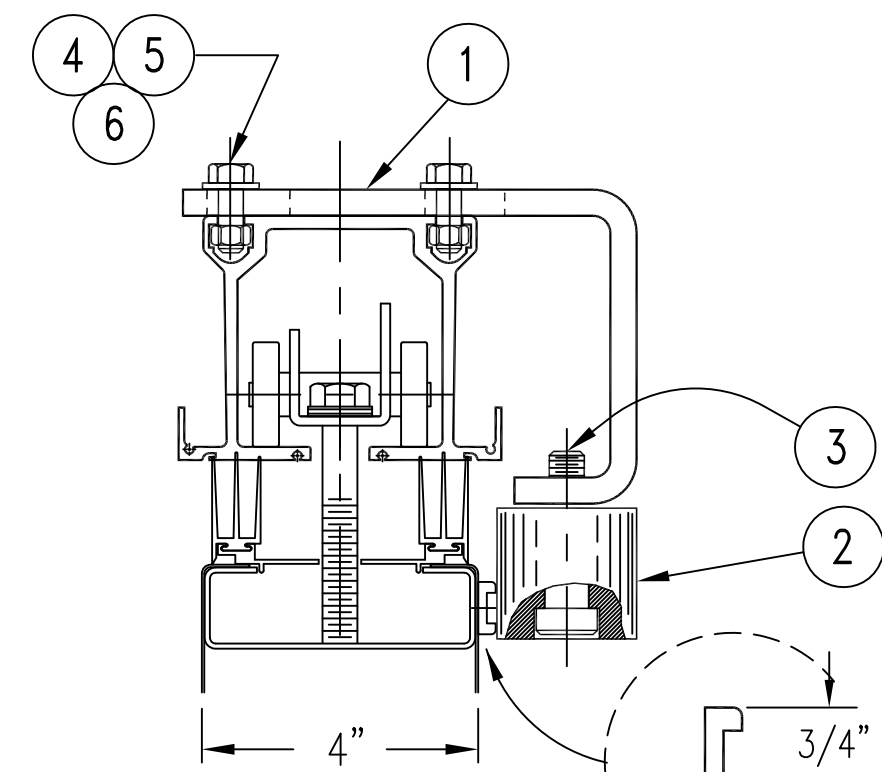
ITEM	PART #	DESCRIPTION	QTY.
1	23313	3/8" STEEL BRACKET	1
2	23314	2" DIA. NYLON ROLLER	1
3	14114	SOC. HD. SHLD. SCREW 5/8" DIA. x 1 1/2"	1
4	K-178	HEX HD. SCREW 3/8"-16 x 1"	4
5	5007	3/8" FLAT WASHER	4
6	4830	3/8"-16 SQUARE NUT	4
7	3371	TRACK TYPE 7	—
8	3365	TRACK TYPE 8	—
9	5622	STEEL SPLICE PINS 1/8" dia. x 7"	—
10	23315	SPLICE PIN INSTALLATION TOOL	1



**400 SERIES**  
 3" ALUMINUM



**600 SERIES**  
 4" ALUMINUM



**800 SERIES**  
 4" STEEL

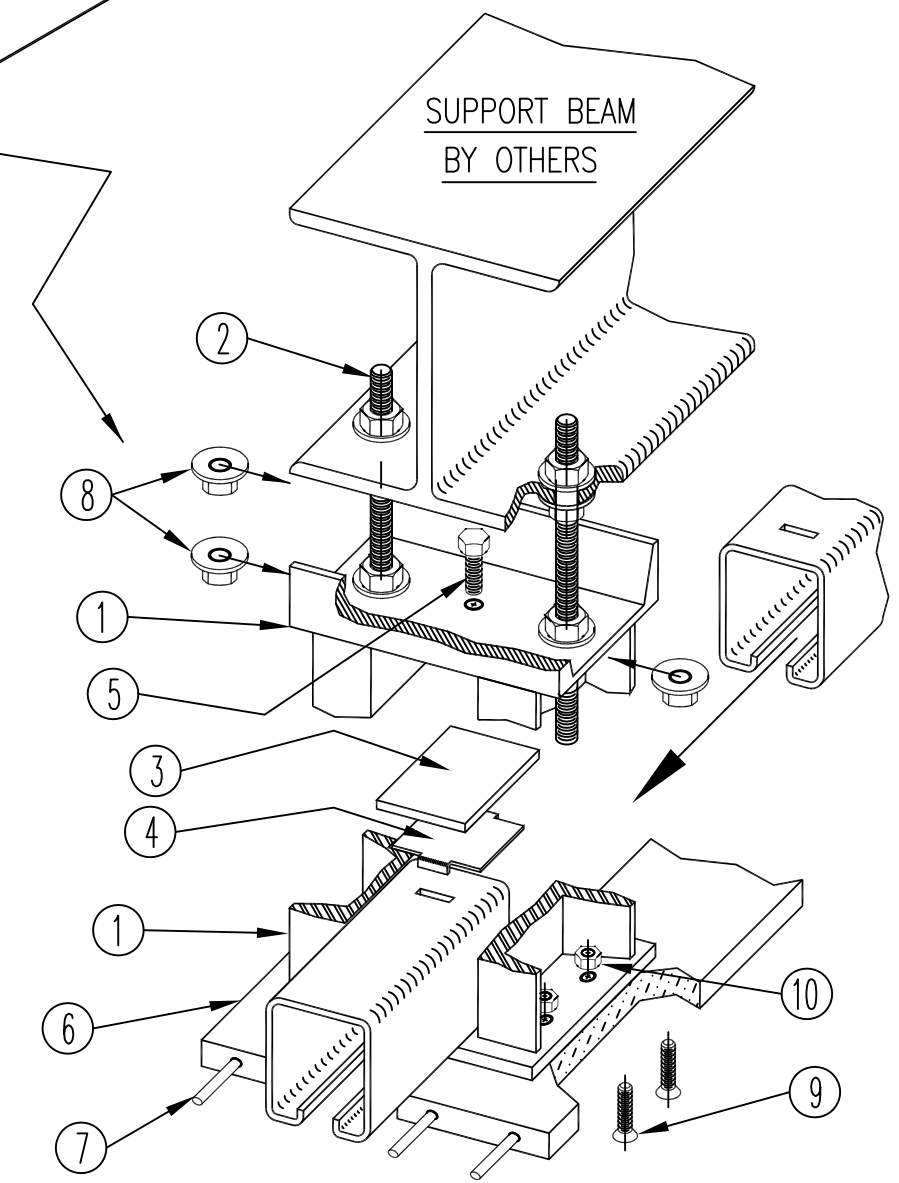
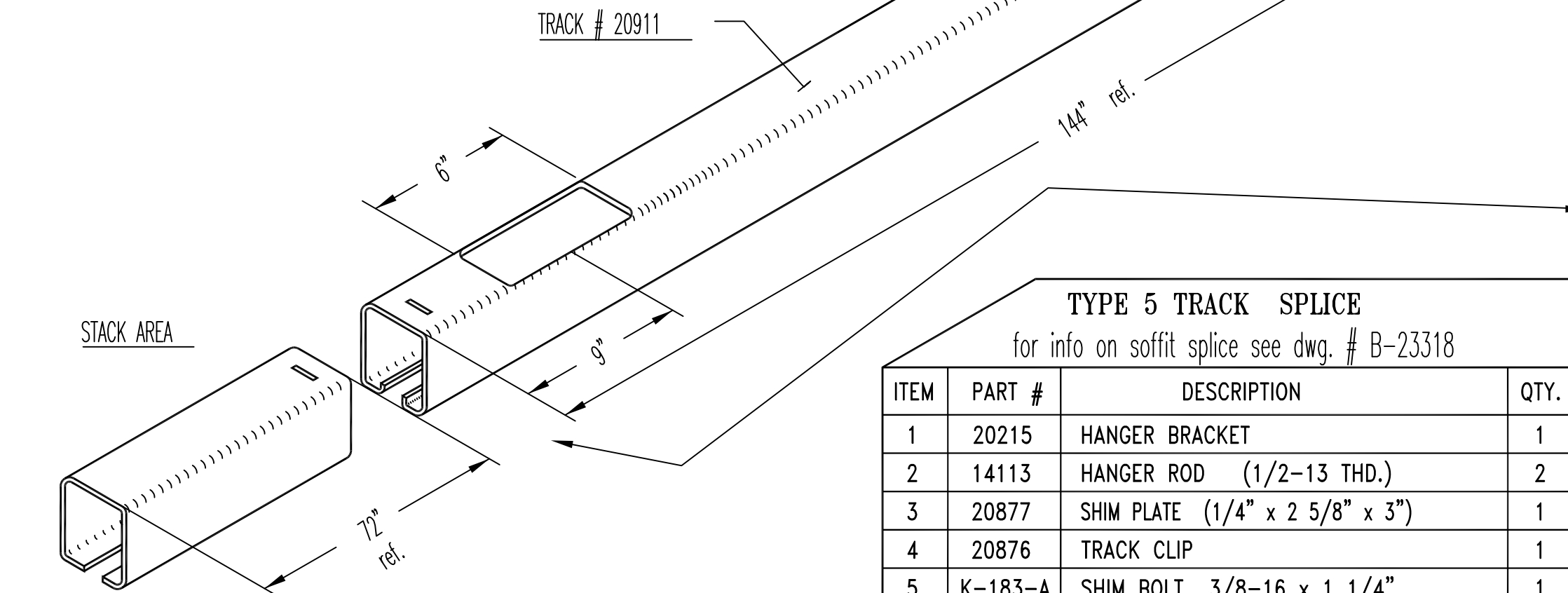
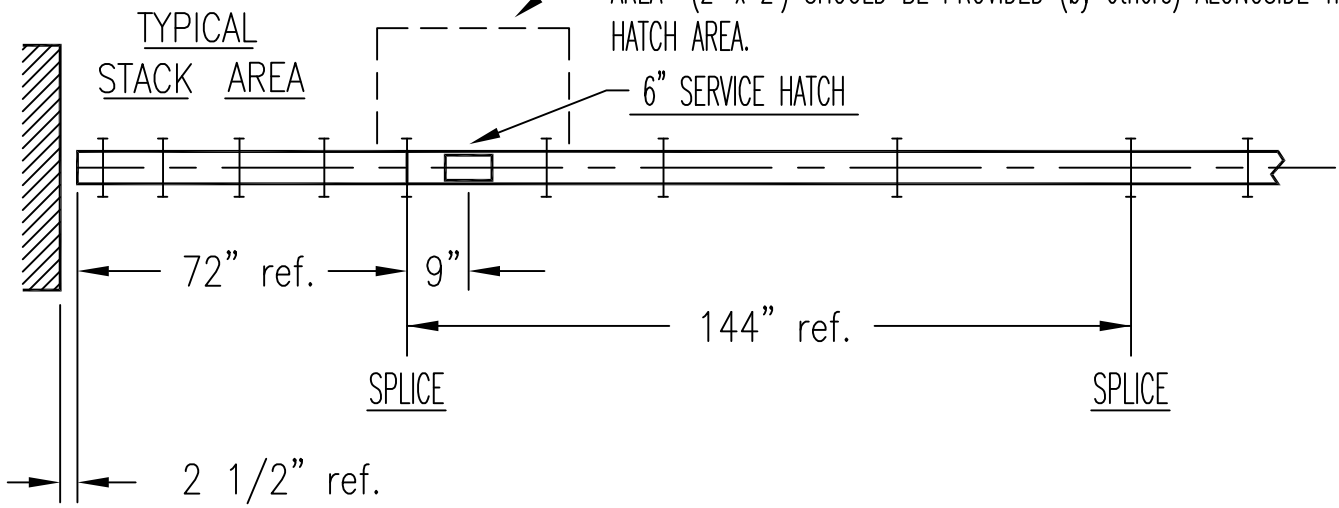
NYLON RUB STRIP  
 (series 800 only)  
 (part # 20898)

# PANELFOLD

P.O. BOX # 683130 MIAMI, FL. 33168  
 TEL. # (305) 688-3501 FAX # (305) 688-0185

DWG. # B-23363 8 SEPT '97

IF TRACK IS INSTALLED IN A "HARD" CEILING (GYPSUM or PLASTER), AN ACCESS AREA (2' x 2') SHOULD BE PROVIDED (by others) ALONGSIDE THE TOP SERVICE HATCH AREA.



### TYPE 5 TRACK SPLICE

for info on soffit splice see dwg. # B-23318

ITEM	PART #	DESCRIPTION	QTY.
1	20215	HANGER BRACKET	1
2	14113	HANGER ROD (1/2-13 THD.)	2
3	20877	SHIM PLATE (1/4" x 2 5/8" x 3")	1
4	20876	TRACK CLIP	1
5	K-183-A	SHIM BOLT 3/8-16 x 1 1/4"	1
6	20273	SOFFIT, WOOD, PRIMED (95")	2
7	M-652	WOOD SOFFIT DOWEL 1/4" dia. x 2 1/2"	4
8	11637	FLANGE NUT 1/2-13 THD.	8
9	14109	SOFFIT SCREWS 1/4-20 x 1 1/2" FL. HD.	4
10	5205	HEX NUT 1/4-20 THD.	4
11	20911	TYPE 5 TRACK (144")	1

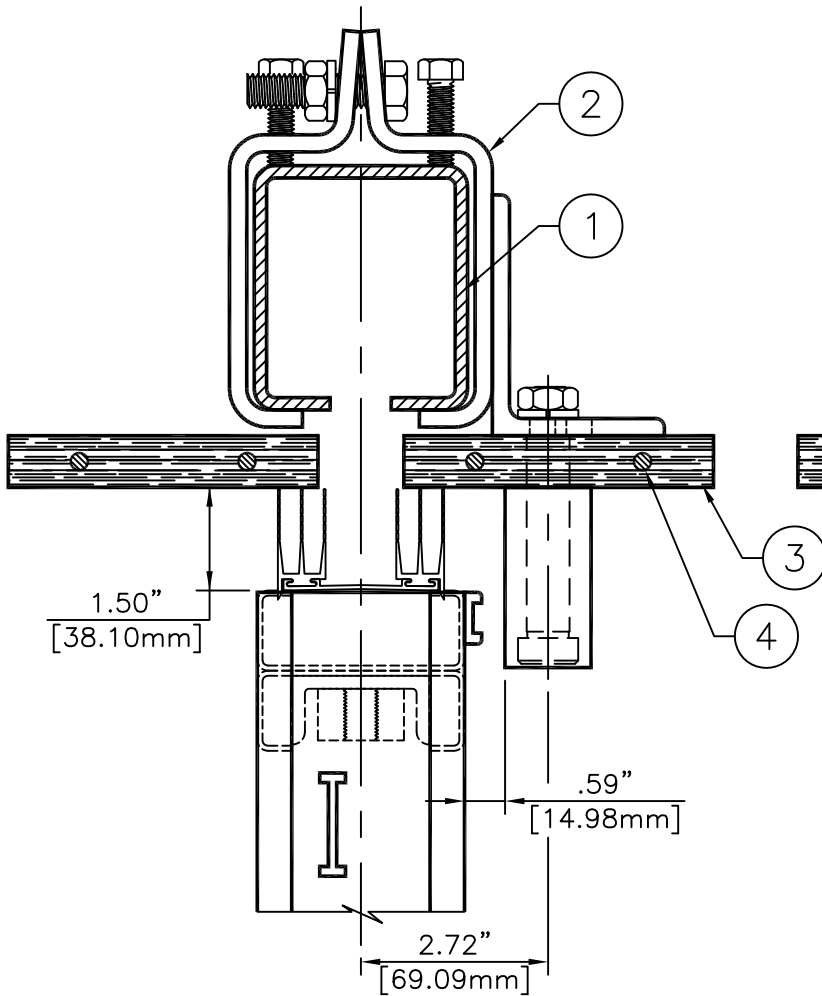
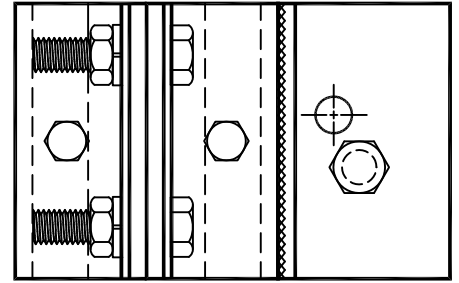
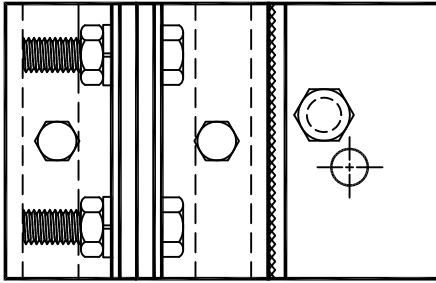
TRACK TYPE 5 SPLICE  
 STANDARD SOFFIT  
 CENTER STACKING PANELS

CONFIDENTIAL: this drawing and its technical contents are the confidential and exclusive property of PANELFOLD INC. MIAMI, FL. U.S.A. and its reproduction or disclosure of its contents without the express written permission of Panelfold Inc. is strictly prohibited.

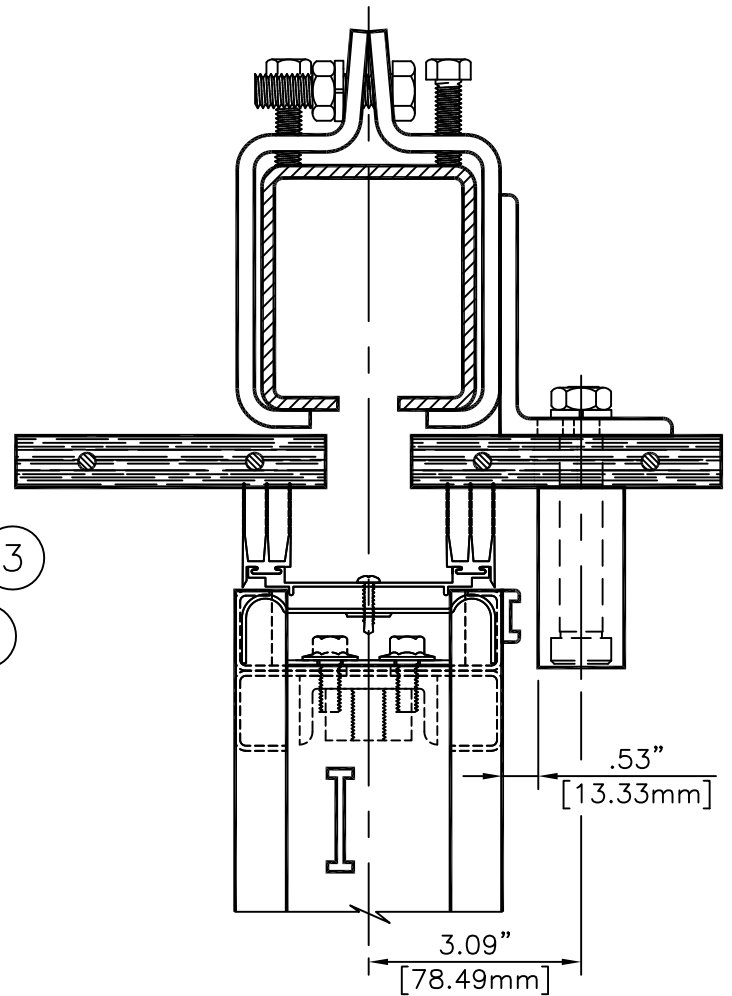
8 SEPT '97

B-23363

ITEM	PART NO.	DESCRIPTION	QTY.
1	31707	STEEL TRACK, TYPE 5	1
2	21131	TYPE 5 GUIDE ROLLER ASSY	1
3	20273	STRAIGHT SOFFIT, 4-7/16" X 95"	2
4	M-652	WOOD SOFFIT DOWEL $\phi$ 1/4" X 2-1/2"	4



3" PANEL

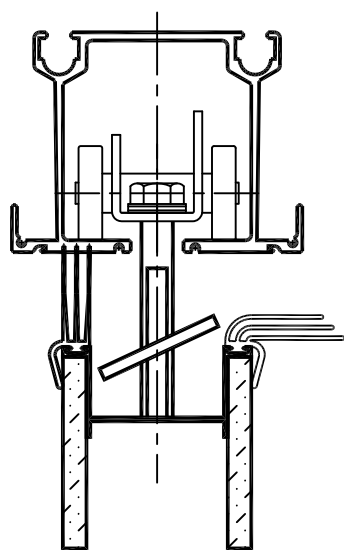
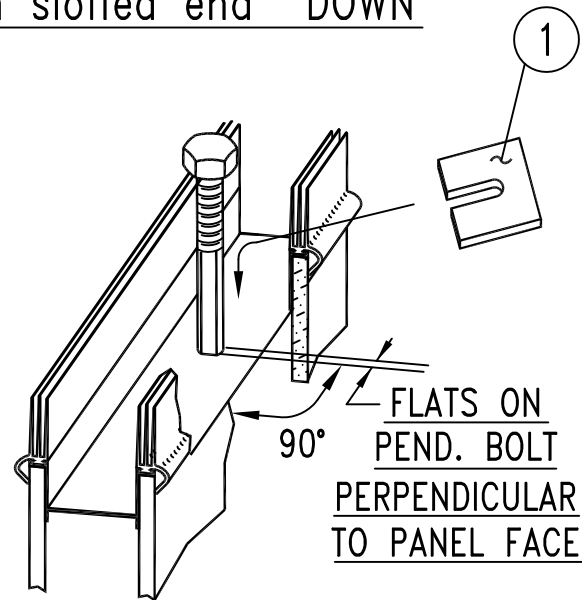


4" PANEL

				MATERIAL	NOTED		
				FINISH			
				TYP. WALL			
A	REDRAWN FROM 23317	H.T	19 NOV 97	AREA	DET, TRACK TYPE 5 GUIDE ROLLER MOUNTING		
LTR.	REVISION	BY	DATE	PERIMETER	TOLERANCES @ INCHES	THIRD ANGLE PROJECTION	
				WEIGHT	.X =		
				DRAWN BY	JIM A.	APPROVED BY	G.E.D. III
CONFIDENTIAL: This drawing and its technical contents are the confidential and exclusive property of PANELFOLD, INC. MIAMI, FL, USA and its reproduction or the use or disclosure of its contents without the express written permission of PANELFOLD, INC. is strictly prohibited.				DATE	28 NOV 95	SCALE	1:3
				SIZE	A	DWG.NO.	23317

CONFIDENTIAL: this drawing and its technical contents are the confidential and exclusive property of PANELFOLD, INC. MIAMI, FLORIDA, USA, and its reproduction or disclosure of its contents without the express written permission of Panelfold, inc. is strictly prohibited.

plate must be inserted with slotted end "DOWN"

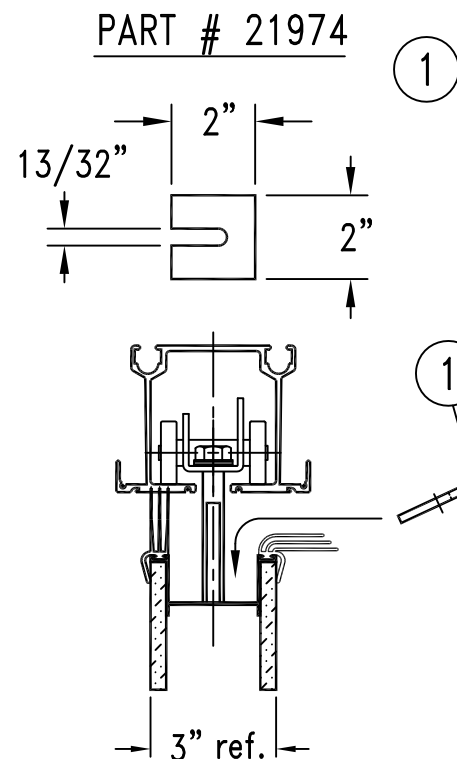


LOCKING PLATE CAN ONLY BE INSERTED AS SHOWN

ENLARGED VIEW

SERIES 400

S.T.C. 38, 42, 44



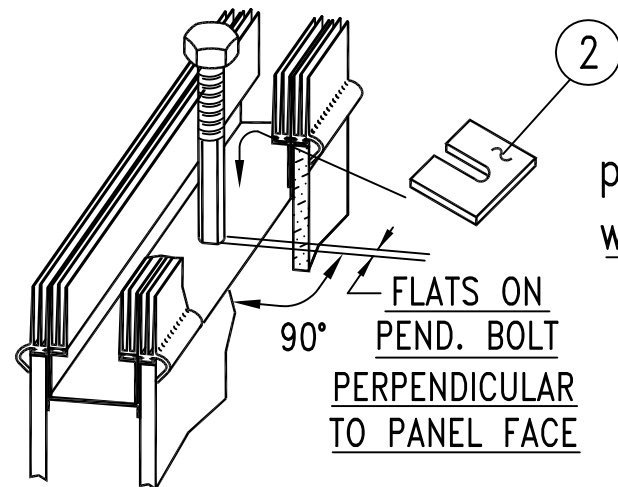
# PANELFOLD

P.O. BOX # 683130 MIAMI, FL. 33168  
TEL. # (305) 688-3501 FAX # (305) 688-0185

DWG. # B-23320 9 SEPT '96

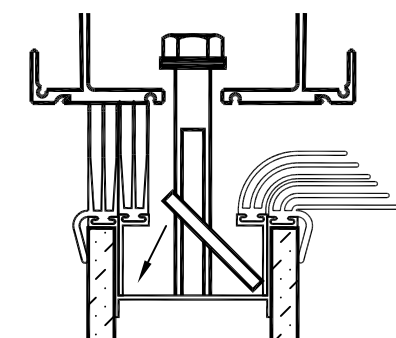
## LOCKING PLATE & PENDANT BOLT ASSEMBLY DETAIL SERIES 400

ITEM	PART #	DESCRIPTION
1	21974	STD. LOCKING PLATE SERIES 400 1/2" PEND. BOLT
2	22757	LOCKING PLATE S.T.C. 47 SERIES 400 1/2" PEND. BOLT
3	23235	LOCKING PLATE FOR OPERABLE TOP SEAL SERIES 400, 1/2" PENDANTS



IMPORTANT NOTE:  
plate must be inserted with slotted end "UP"

S.T.C. 47  
(double top seals)

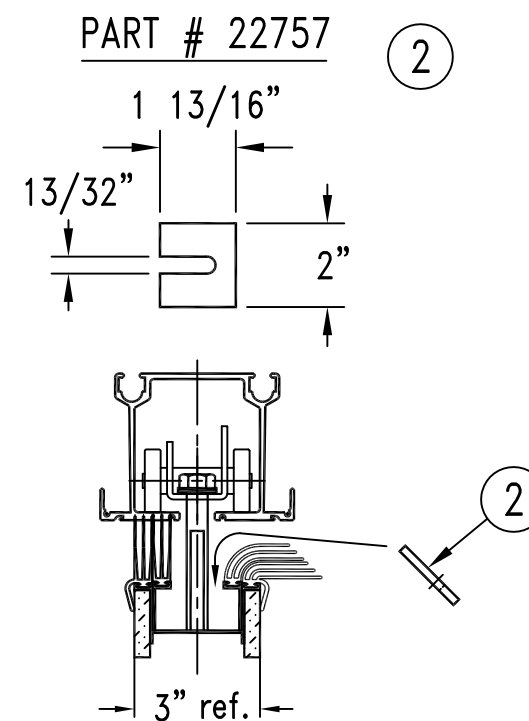


LOCKING PLATE CAN ONLY BE INSERTED AS SHOWN

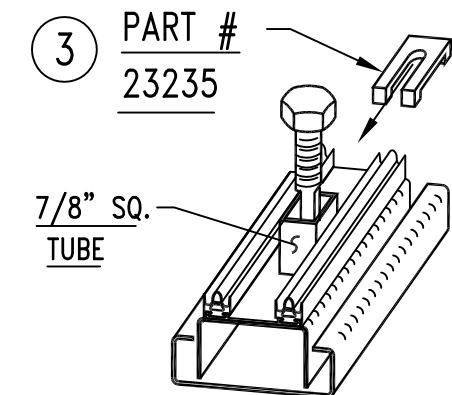
ENLARGED VIEW

SERIES 400

S.T.C. 47 (DOUBLE TOP SEALS)



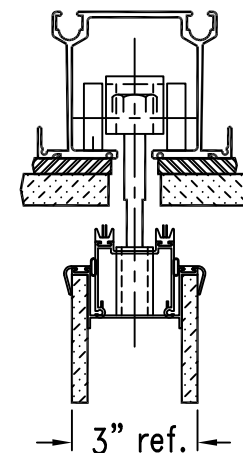
1/2-20 JAMB NUT # 11562



INSERT LOCKING PLATE FROM END OF PANEL

FLATS ON PEND. BOLT PARALLEL TO PANEL FACE

OPERABLE TOP SEAL SERIES 400



PART # 23235

(fits on top of square tube)

OPERABLE TOP SEAL SERIES 400

(SEE SKETCH ABOVE)

10 FEB '00

23320-1

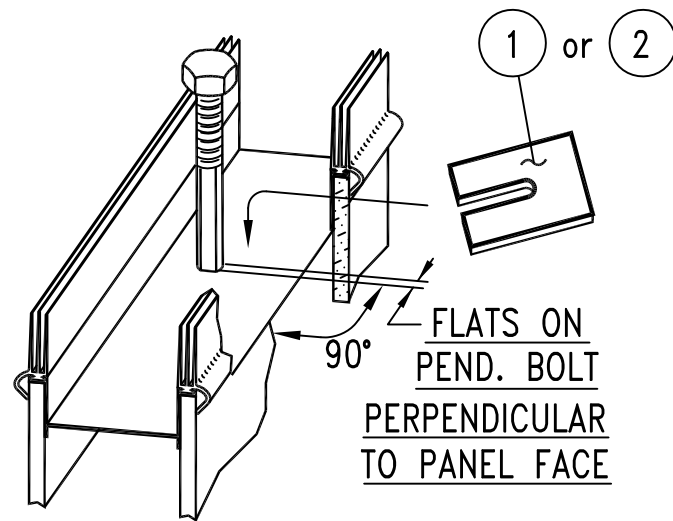
# PANELFOLD

P.O. BOX # 683130 MIAMI, FL. 33168  
 TEL. # (305) 688-3501 FAX # (305) 688-0185

## LOCKING PLATE & PENDANT BOLT ASSEMBLY DETAIL SERIES 500, 600 & 800

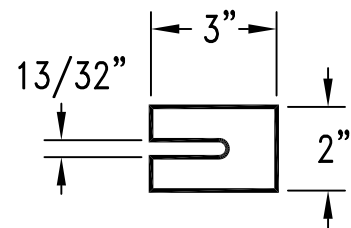
ITEM	PART #	DESCRIPTION
1	22391	LOCKING PLATE SERIES 600 1/2" PEND. BOLT
2	22358	LOCKING PLATE SERIES 600 5/8" PEND. BOLT
3	21974	LOCKING PLATE SERIES 800 1/2" PEND. BOLT
4	21975	LOCKING PLATE SERIES 800 5/8" PEND. BOLT
5	23378	LOCKING PLATE 3" GYM WALL 5/8" PEND. BOLT
6	23235	LOCKING PLATE FOR OPER. TOP SEAL (1/2" BOLT)
	23415	LOCKING PLATE FOR OPER. TOP SEAL (5/8" BOLT)

plate must be inserted  
 with slotted end "DOWN"



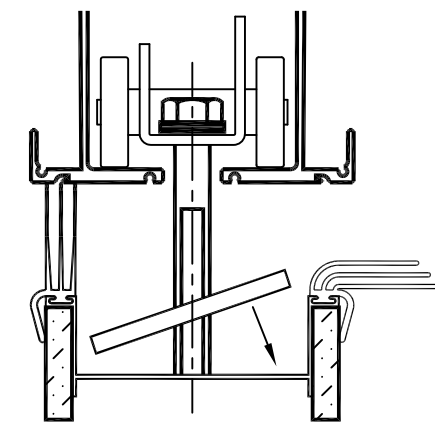
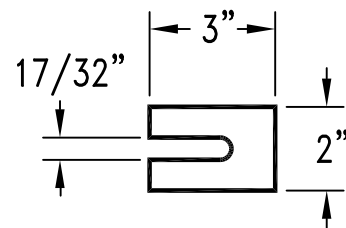
FOR 1/2" PEND. BOLT

1 PART # 22391



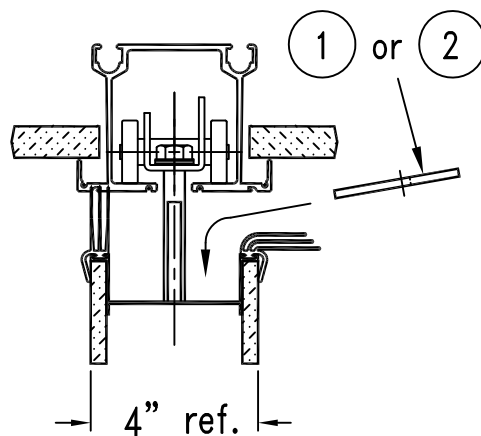
FOR 5/8" PEND. BOLT

2 PART # 22358



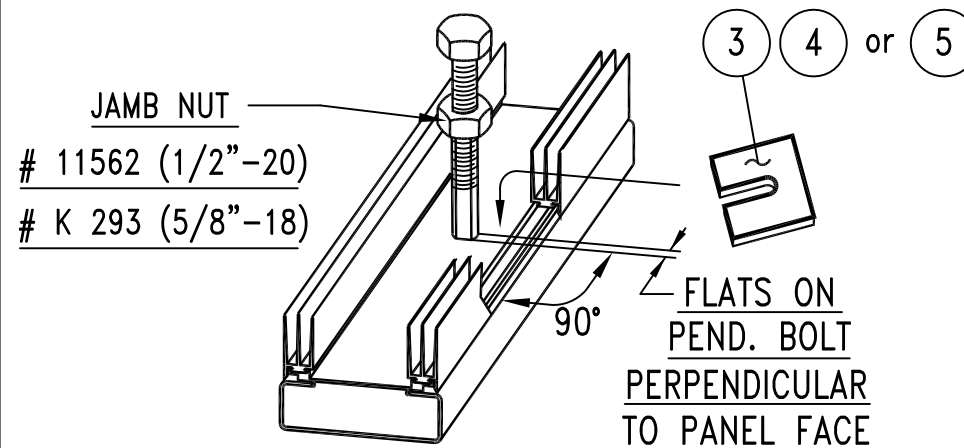
LOCKING PLATE CAN ONLY BE INSERTED AS SHOWN

ENLARGED VIEW



SERIES 600

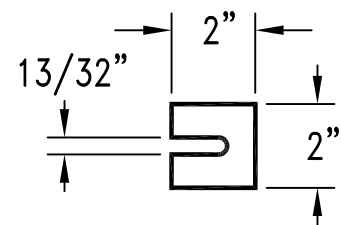
plate must be inserted  
 with slotted end "DOWN"



FOR 1/2" PEND. BOLT

3 PART # 21974

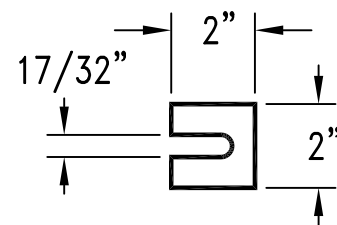
4" steel panel



FOR 5/8" PEND. BOLT

4 PART # 21975

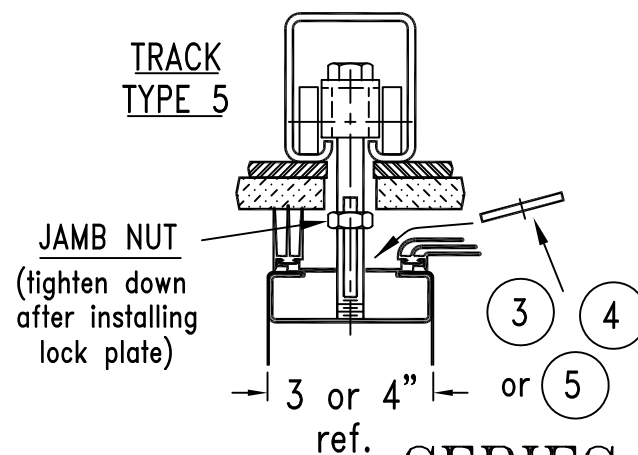
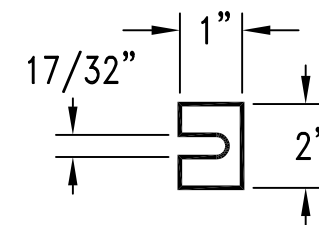
4" steel panel



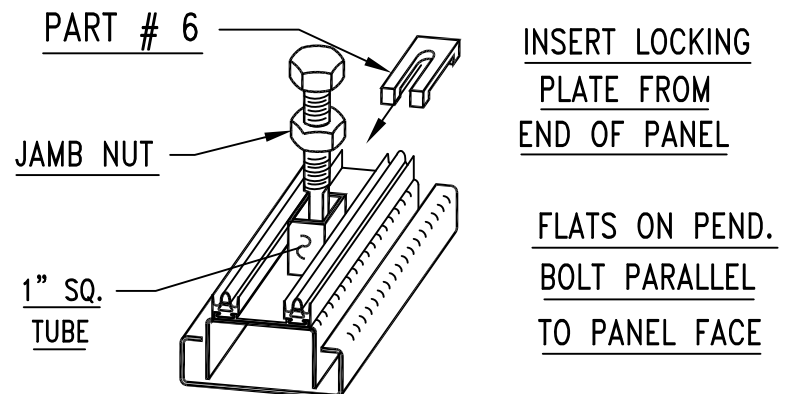
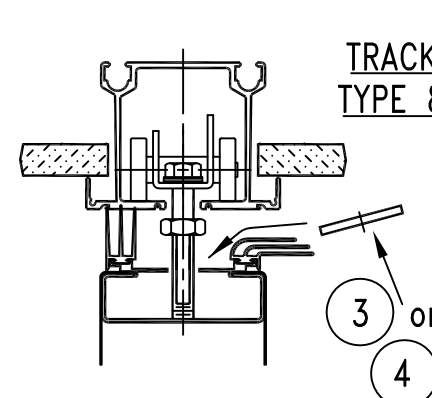
FOR 5/8" PEND. BOLT

5 PART # 23378

3" steel panel



SERIES 800 & 500



OPERABLE TOP SEALS (SERIES 800 SHOWN)

